



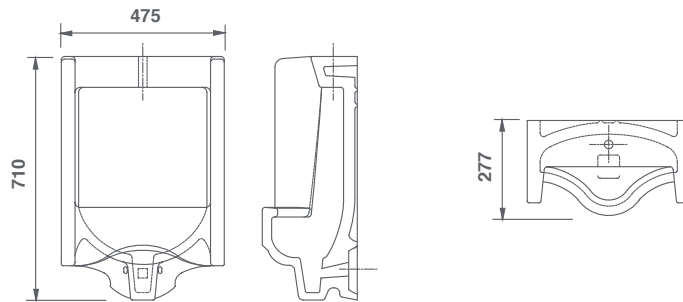
# PROFESSIONAL COLLECTION

## - FLORIDA URINAL Top Inlet -



### FEATURES

Acid and alkali resistant, antibacterial glazed surfaces. Designed to withstand heavy use. Hanging brackets are included with each urinal. Wall mounted. White finish. 10 year warranty.



Product	Code	Dimensions				Weight
			W	D	H	
Florida Wallmounted Urinal Top Inlet	FU0001T1	(mm)	475	277	710	54kg
		(in)	18	11	28	

Please note: All nominal dimensions in mm. Dimensions may vary by +/- 2% due to manufacturing process

Additional Products Required	Code
Top Inlet Spreader	FT3000035
Waste with Connector	FT3000037

For expert advice or to purchase, please contact our Customer Service Team on +44 (0) 1254 775111. Alternatively, we can be contacted via email at [sales@shawsofdarwen.com](mailto:sales@shawsofdarwen.com) or by fax on +44 (0) 1254 873462.