

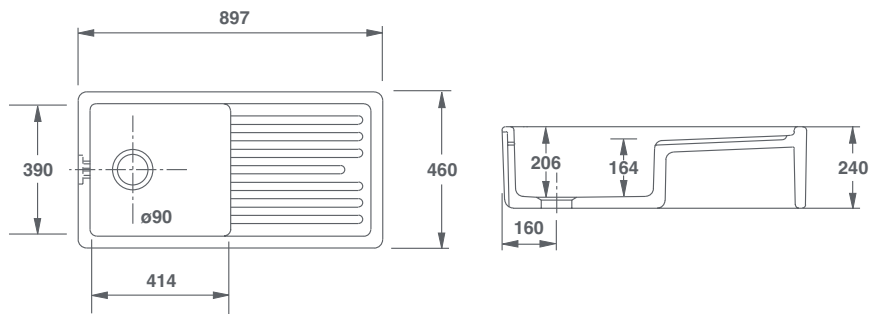


PROFESSIONAL COLLECTION - COMBINATION -



FEATURES

Acid and alkali resistant, antibacterial glazed surfaces.
Designed to withstand heavy use. 3 Hole overflow.
3½" Centre end waste outlet. Integral drainer.
White finish. 10 year warranty.



Product	Code	Dimensions					
			W	D	H	Waste	Weight
35" Combination	CO0100010	(mm)	897	460	240	90	70kg
		(in)	35	18	9½	3½	

Please note: All nominal dimensions in mm. Dimensions may vary by +/- 2% due to manufacturing process

Suggested Accessory	Please Note
3½ Basket Waste	Please contact our Sales Office for details.

For expert advice or to purchase, please contact our Customer Service Team on +44 (0) 1254 775111.
Alternatively, we can be contacted via email at sales@shawsofdarwen.com or by fax on +44 (0) 1254 873462.