



BRASSWARE COLLECTION

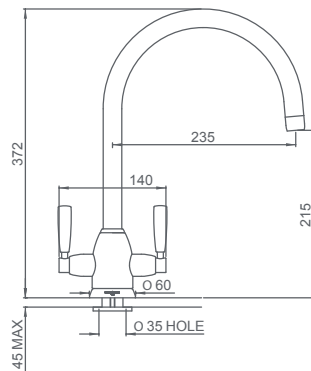
- SILVERDALE -



FEATURES

Monobloc sink mixer with lever handles and Shaws laser etched hot and cold indices, ¼ turn ceramic valves and extended length flexible tail pipes for easy installation. Minimum 0.2 bar pressure required. 2 year working part and valve warranty. 12 month surface finish and O-ring warranty.

Available in Chrome only.



Product	Code	Type	Dimensions		
				H	Overhang
Silverdale Chrome	FTTP0007	Monobloc Mixer	(mm)	372	235
			(in)	14½	9½

For expert advice or to purchase, please contact our Customer Service Team on +44 (0) 1254 775111. Alternatively, we can be contacted via email at sales@shawsofdarwen.com or by fax on +44 (0) 1254 873462.