



CONTEMPORARY COLLECTION

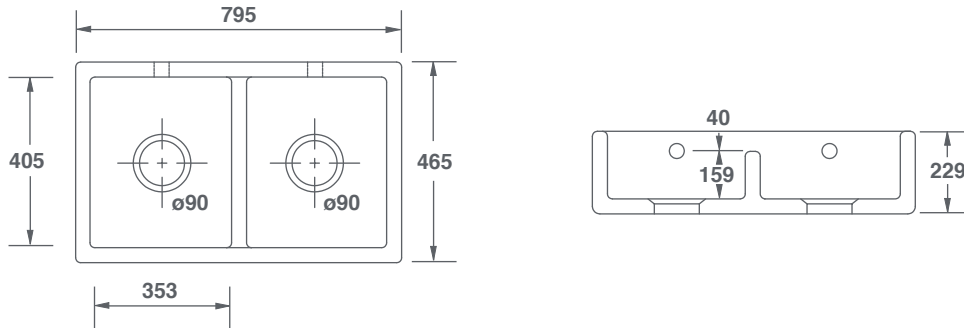
– SHAKER DOUBLE 800 –



FEATURES

Double bowl sink with dropped central dividing wall. Central 3½" waste outlets suitable for basket strainers or waste disposers. Round overflows. Lifetime warranty.

All our sinks come in a choice of white or biscuit.



Product	Code	Dimensions					
			W	D	H	Waste	Weight
Shaker Double 800 White	SCSH800WH	(mm)	795	465	229	90	58kg
		(in)	31	18½	9	3½	
Shaker Double 800 Biscuit	SCSH800PN	(mm)	595	460	229	90	58kg
		(in)	23½	18½	9	3½	

Please note: All nominal dimensions in mm. Dimensions may vary by +/- 2% due to manufacturing process

For expert advice or to purchase, please contact our Customer Service Team on +44 (0) 1254 775111. Alternatively, we can be contacted via email at sales@shawsofdarwen.com or by fax on +44 (0) 1254 873462.