



ORIGINAL COLLECTION

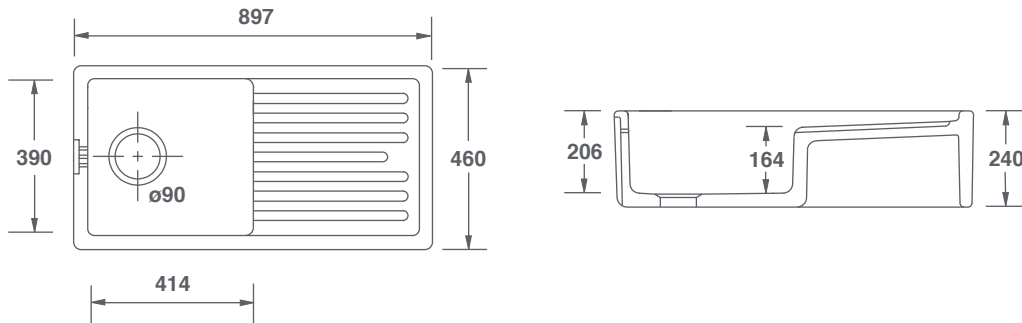
- LONGRIDGE -



FEATURES

Integral drainer. 3 hole overflow. 3½" waste outlet suitable for basket or waste disposer. Lifetime warranty.

All our sinks come in a choice of white or biscuit.



Product	Code	Dimensions					Weight
			W	D	H	Waste	
Longridge White	FCSO0610WH	(mm)	897	460	240	90	75kg
		(in)	35½	18	9½	3½	
Longridge Biscuit	FCSO0610PN	(mm)	897	460	240	90	75kg
		(in)	35½	18	9½	3½	

Please note: All nominal dimensions in mm. Dimensions may vary by +/- 2% due to manufacturing process

For expert advice or to purchase, please contact our Customer Service Team on +44 (0) 1254 775111. Alternatively, we can be contacted via email at sales@shawsofdarwen.com or by fax on +44 (0) 1254 873462.