



1897

SHAW'S

ENGLAND

THE

– PROFESSIONAL –

COLLECTION

For expert advice or to purchase over the phone  
speak to our Customer Services Team on

**+44 (0)1254 775111**

Fax +44 (0)1254 873462 or visit us online at  
[www.shawsofdarwen.com](http://www.shawsofdarwen.com)

**When Shaws of Darwen was founded in the closing years  
of the 19th century, we had a vision - to make the finest  
handcrafted fireclay sinks in the whole of England.**

Today, some 120 years on, that vision has been more than  
realised; Shaws now enjoys, not only a national, but a worldwide  
reputation for the craftsmanship, quality and durability of our  
unique artisan products.

We're immensely proud of our heritage, and the fact  
that our sinks are still handcrafted using time-honoured  
methods at our premises in the same quiet corner of North West  
England as they were when we first started out in 1897.

We're also exceedingly proud of our extensive  
Professional Collection, showcased in this brochure, which  
has been specifically designed for commercial applications such  
as schools, hotels, leisure, public buildings and laboratories.

These heavy-duty fireclay commercial products  
are expertly glazed and fired using state-of-the-art kiln  
technology, making them extremely robust, antibacterial,  
and both stain and acid resistant.





# CONTENTS

<i>Introduction</i> .....	04
<b>Belfast Fireclay Sinks</b> .....	06
<b>Fireclay Cleaner Sinks</b> .....	08
<b>Laboratory Fireclay Sink</b> .....	10
<b>Combination Fireclay Sink</b> .....	12
<b>Shelf Fireclay Sinks</b> .....	14
<b>Florida Fireclay Urinal</b> .....	16
<b>Fireclay Slab Urinals</b> .....	18
<b>Fireclay Drainers</b> .....	20
<b>Wastes &amp; Traps</b> .....	22
<b>Legs &amp; Brackets</b> .....	23
<i>Benefits Overview</i> .....	24



## Our Products

Handcrafted to the highest standards at our premises in North West England, using time-honoured methods and state-of-the-art kiln technology, these unique, artisan fireclay products simply exude quality.

Durable, robust and practical, the Shaws Professional Collection represents our commercial offering, designed to provide our customers with products of substance, created to deliver a lifetime of service.

*Iconic, timeless, aspirational and tactile, each sink is an original design, handcrafted to give a lifetime of service and pleasure.*

## Our Process

It takes time to hand-make a Shaws sink, between three to four weeks in total, using traditional techniques that have been passed down from master craftsman to apprentice for well over a century.

Known as 'slip casting', the process begins with a mixture of locally sourced clay and water being poured into porous moulds.

When the newly formed sinks are dry enough, craftsmen remove them from their moulds before getting to work doing what they do best – expertly hand-finishing these artisan products through a process of sponging and 'fettling' to create a smooth surface.

At this stage, the master craftsman proudly imprints his name on the base of his creation, before leaving the sink to gradually dry out for a period of over 40 hours.

Only then are the sinks deemed ready to be prepared with a first coat of glaze, before being glazed for a second time to improve the durability of the product.

Firing in specially designed kilns at temperatures of over 1200 degrees Celsius completes this rigorous process.

# Handcrafted for Life

## Our Values & Promise

At Shaws, we believe wholeheartedly in delivering on our promise: to make the best handcrafted fireclay sinks in the world, backed up with exceptional customer service. We achieve this by being passionate in all we do, and working to the following set of proud values:

### *Integrity*

We're honest and straightforward in all our dealings with our customers, building relationships that stand the test of time – just like our handcrafted products. When you become a customer of Shaws, we consider you one for life.

### *Reliability*

Shaws has developed a worldwide reputation for reliability that we couldn't be more proud of. For creating beautiful, durable, handcrafted products that are made to provide a lifetime of service.

### *Dependability*

Shaws is a dependable partner, whether your requirements are large or small. We offer fantastic choice, products available from stock, simple trading terms and flexible delivery options. Our dedication to service is second-to-none, resulting in customers who are as committed to us as we are to them.

## Durability

All products that comprise the Shaws Professional Collection hold a number of independent industry accreditations for quality and resistance against chemicals and staining.

The **hard-wearing glaze** applied to every Shaws sink has been proven to reduce bacterial colonies of E-Coli and MRSA by 99.99% over a 24 hour period and were classified as Excellent in this area, which makes our sinks ideal for healthcare and school installations.

Each sink is produced using heavy fireclay material; cast, finished and glazed by hand in exactly the same fashion as our domestic ranges, ensuring the sinks are resilient to cracking, chipping and staining, however heavy-duty their usage.

Shaws enjoys an international reputation for quality, durability and integrity.



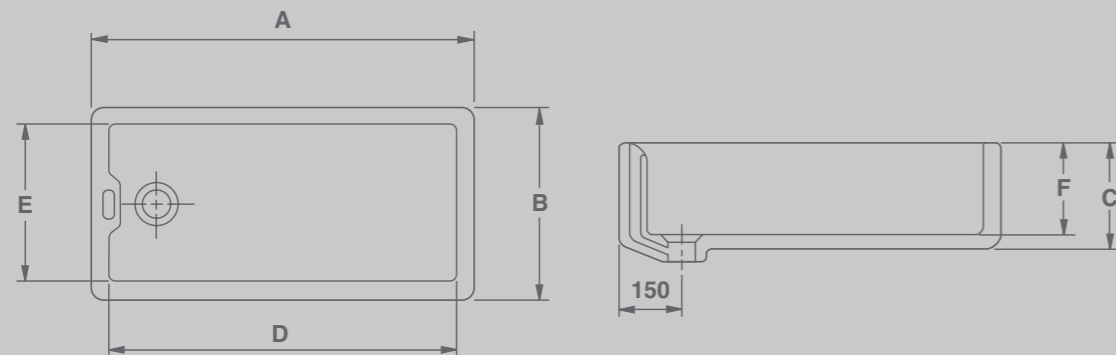
**10 Year  
Warranty**

*Shaws products come with a:*

**10-year guarantee** against staining and fading.  
**1-year guarantee** against manufacturing defects.

For more details see our website.

## – BELFAST – SPECIFICATIONS



Product	Code	Dimensions						
			A	B	C	D	E	F
18" Belfast	BS0100010	(mm)	460	380	205	390	310	165
		(in)	18	15	8	15	12	6
21" Belfast	BS0200010	(mm)	535	410	205	465	340	165
		(in)	21	16	8	18	13	6
24" Belfast	BS0300010	(mm)	610	410	205	540	340	165
		(in)	24	16	8	21	13	6
Metric 24 Belfast	BS0800010	(mm)	595	460	255	540	380	220
		(in)	24	18	10	21	15	8
24" Belfast (Deep)	BS0400010	(mm)	610	410	255	540	340	220
		(in)	24	16	10	21	13	8
30" Belfast	BS0600010	(mm)	760	460	255	690	380	220
		(in)	30	18	10	27	15	8
36" Belfast	BS0700010	(mm)	915	460	255	840	380	220
		(in)	36	18	10	33	15	8

Please note: All nominal dimensions in mm. Dimensions may vary by +/- 2% due to manufacturing process

### Suggested Accessories

Product	Code	Dimensions	
		(mm)	(in)
25" Stainless Steel Legs & Brackets (x2)	FT0100002	(mm)	652
		(in)	25
1½" Slotted Waste Fitting	FT2100013	(mm)	38
		(in)	1½
Vulcathene Waste (Slotted)	FT8000003	(mm)	38
		(in)	1½
Vulcathene Bottle Trap	FT8000001	(mm)	38
		(in)	1½

For drawings and details of Legs & Brackets see page 25

## – BELFAST – FIRECLAY SINKS

Traditional heavy duty fireclay Belfast sink.



### FEATURES

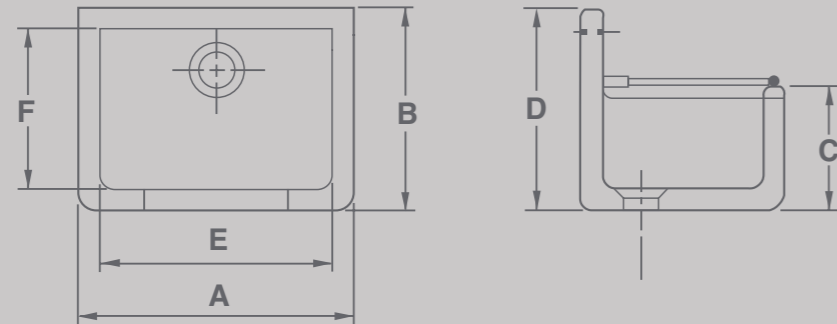
Acid and alkali resistant, antibacterial glazed surfaces.

Designed to withstand heavy use.

Weir overflow. 1½" Centre end waste outlet.

White finish.

# - CLEANER - SPECIFICATIONS



Product	Code	Dimensions						
			A	B	C	D	E	F
18" Low Back (Birch) Cleaner	CL0300010	(mm)	460	380	205	355	385	305
		(in)	18	15	8	14	15	12
20" Low Back Cleaner	CL0200010	(mm)	510	380	230	380	435	305
		(in)	20	15	9	15	17	12
20" High Back (Alder) Cleaner	CL0100010	(mm)	510	380	230	535	435	305
		(in)	20	15	9	21	17	12

Please note: All nominal dimensions in mm. Dimensions may vary by +/- 2% due to manufacturing process

## Suggested Accessories

Product	Code	Dimensions	
12" Stainless Steel Legs & Brackets (x2)	FT0100001	(mm)	350
		(in)	12
1½" Slotted Waste Fitting	FT2100013	(mm)	38
		(in)	1½

For drawings and details of Legs & Brackets see page 25

# - CLEANER - LOW & HIGH BACK

Practical low and high backed fireclay cleaner's sinks.



## FEATURES

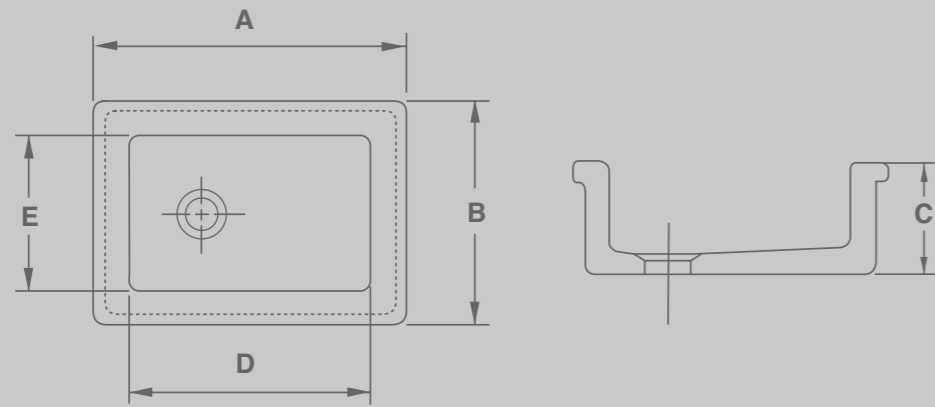
Acid and alkali resistant, antibacterial glazed surfaces.

Designed to withstand heavy use.

Stainless steel bucket grating. Pre-drilled fixing holes.

1½" Waste outlet. White finish.

# - LABORATORY - SPECIFICATIONS



Product	Code	Dimensions					
			A	B	C	D	E
Laboratory Type 1	LB0100010	(mm)	360	280	178	280	200
		(in)	14	11	7	11	8
Laboratory Type 2	LB0200010	(mm)	330	330	180	250	250
		(in)	13	13	7	10	10
Laboratory Type 3	LB0400010	(mm)	595	380	230	515	305
		(in)	24	15	9	20	12
Laboratory Type 4	LB0300010	(mm)	460	365	200	375	280
		(in)	18	14	8	15	11

Please note: All nominal dimensions in mm. Dimensions may vary by +/- 2% due to manufacturing process

## Suggested Accessories

Product	Code	Dimensions	
Vulcathene Waste (Unslotted)	FT8000002	(mm)	38
		(in)	1½
Vulcathene Bottle Trap	FT8000001	(mm)	38
		(in)	1½

# - LABORATORY - FIRECLAY SINKS

Extremely durable science-friendly fireclay lab sinks.



## FEATURES

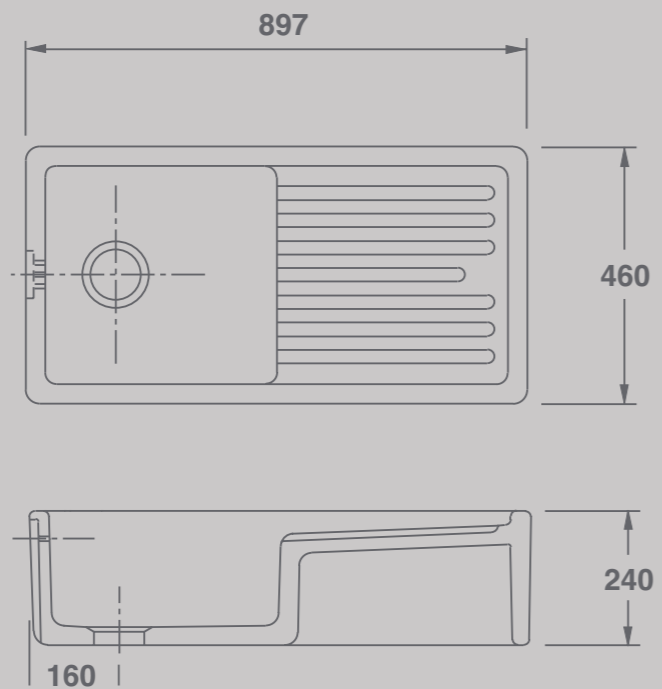
Acid and alkali resistant, antibacterial glazed surfaces.

Designed to withstand heavy use.

Inset or undermount installation. No overflow. 1.5" Waste outlet.

Available in four sizes. White finish.

## - COMBINATION - SPECIFICATIONS



Product	Code	Dimensions			
			Width	Depth	Height
35" Combination	CO0100010	(mm)	897	460	240
		(in)	35	18	9½

Please note: All nominal dimensions in mm. Dimensions may vary by +/- 2% due to manufacturing process

### Suggested Accessories

Product	Please Note
3½ Basket Waste	Please contact our Sales Office for details.

## - COMBINATION - FIRECLAY SINK

Heavy duty fireclay sink with integral drainer.



### FEATURES

Acid and alkali resistant, antibacterial glazed surfaces.

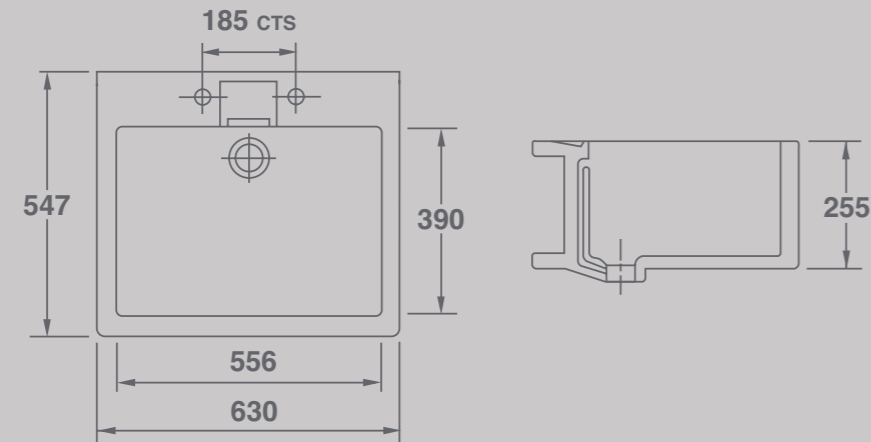
Designed to withstand heavy use.

3 Hole overflow. 3½" Centre end waste outlet.

Integral drainer. White finish.



## - SHELF - SPECIFICATIONS



Product	Code	Dimensions			
			Width	Depth	Height
24" Shelf	SH0100010	(mm)	630	547	255
		(in)	24	21	10

Please note: All nominal dimensions in mm. Dimensions may vary by +/- 2% due to manufacturing process

### Suggested Accessories

Product	Code	Dimensions	
1½" Slotted Waste Fitting	FT2100013	(mm)	38
		(in)	1½

## - SHELF - FIRECLAY SINK

Traditional heavy duty fireclay sink.



### FEATURES

Acid and alkali resistant, antibacterial glazed surfaces.

Designed to withstand heavy use.

Integral tap platform with pre-formed tapholes. Soap recesses.

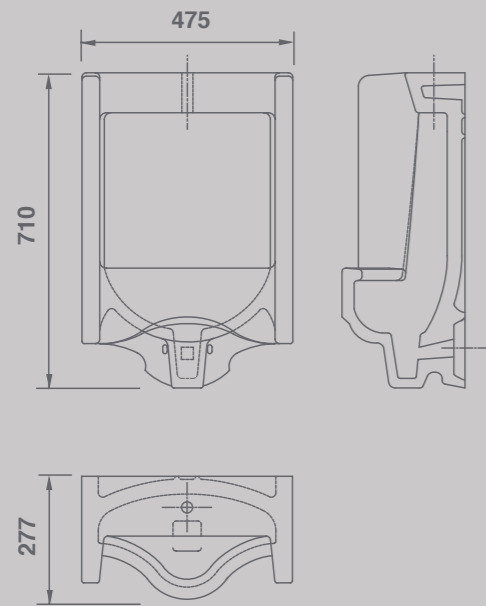
Centred overflow. 1½" Offset waste outlet.

Enclosed sides to conceal pipework.

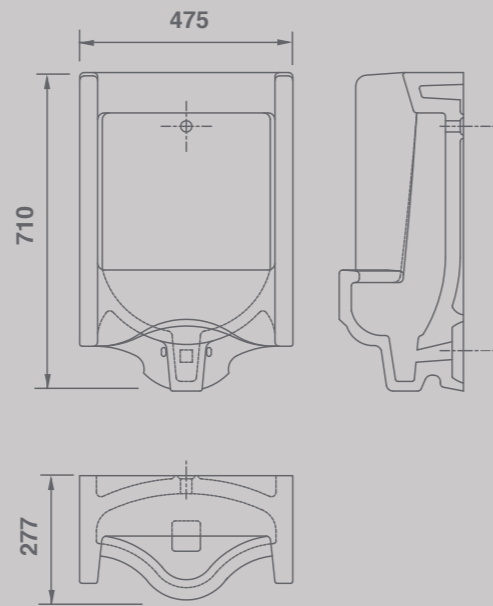
White finish.

# - FLORIDA - SPECIFICATIONS

## TOP INLET



## BACK INLET



Product	Code	Dimensions			
			Width	Depth	Height
Florida Wallmounted Urinal Top Inlet	FU0001TI	(mm)	475	277	710
		(in)	18	11	28
Florida Wallmounted Urinal Back Inlet	FU0002BI	(mm)	475	277	710
		(in)	18	11	28

Please note: All nominal dimensions in mm. Dimensions may vary by +/- 2% due to manufacturing process

### Suggested Accessories

Product	Code
Top Inlet Spreader	FT3000035
Back Inlet Spreader	FT3000036
Waste with Connector	FT3000037

# - FLORIDA - FIRECLAY URINAL

Luxury wall-mounted fireclay urinal.



## FEATURES

Acid and alkali resistant, antibacterial glazed surfaces.

Designed to withstand heavy use.

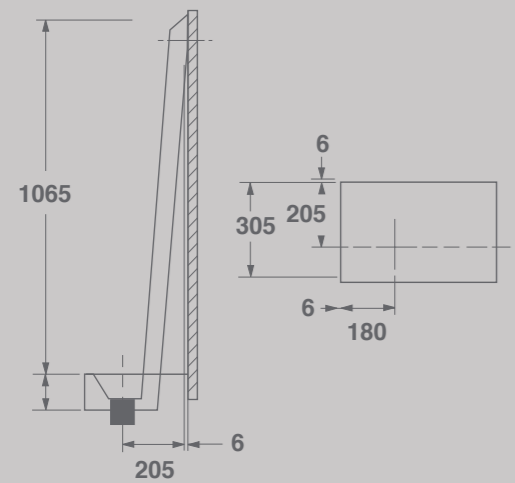
Available with either a top or back inlet.

Hanging brackets are included with each urinal.

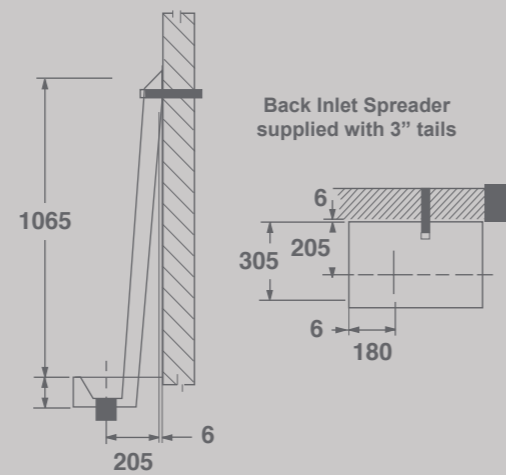
Wall mounted. White finish.

# - SLAB URINAL - SPECIFICATIONS

## CONCEALED



## EXPOSED



Product	Complete with	Dimensions			
			Width	Depth	Height
Bespoke Fireclay Slab Urinal	Return Ends, Back Slabs, Integral Channel & Domed Waste.	(mm)	As this product is bespoke and made to order, any width is available to purchase.	305	1065
		(in)		12	42

Please note: All nominal dimensions in mm. Dimensions may vary by +/- 2% due to manufacturing process

## Optional Extras

Product	Code
Exposed Pipework Kit	White Auto Plastic Cistern, Downpipe & Clips, Spargepipe & Clips.
Concealed Kit	Black Plastic Cistern, Back Inlet Spreader.

To discuss an order please call our Customer Service Team on +44 (0)1254 775 111.

# - SLAB URINAL - BESPOKE WIDTH

Durable, antibacterial fireclay urinal slabs.



## FEATURES

Acid and alkali resistant, antibacterial glazed surfaces.

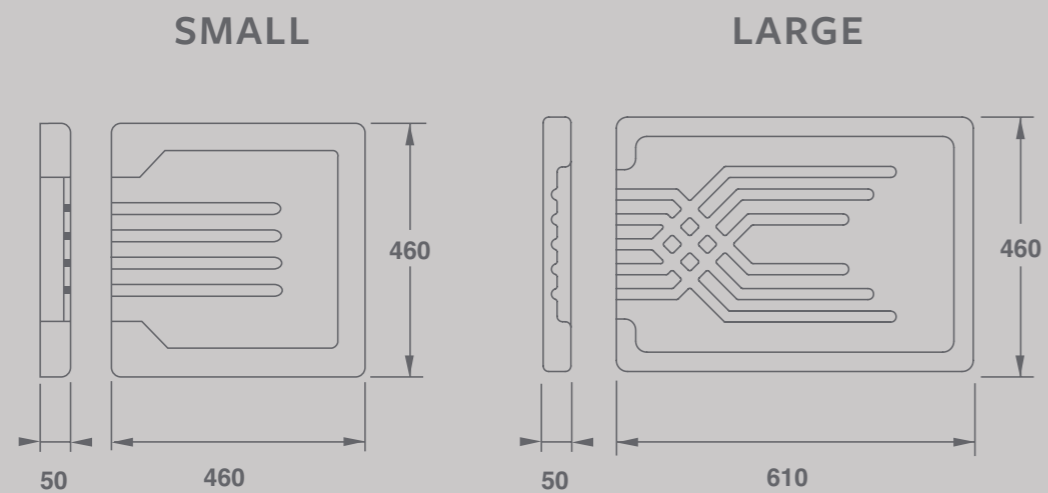
Designed to withstand heavy use.

Bespoke widths to line one or multiple walls.

Supplied with integral floor channels.

White finish.

# - DRAINERS - SPECIFICATIONS



Product	Code	Dimensions			
			Width	Depth	Height
Small Drainer	CD0200010	(mm)	460	460	50
		(in)	18	18	2
Large Drainer	SO2900010	(mm)	610	460	50
		(in)	24	18	2

Please note: All nominal dimensions in mm. Dimensions may vary by +/- 2% due to manufacturing process

# - DRAINERS - SMALL & LARGE

Durable fireclay drainers designed for heavy use.



## FEATURES

Acid and alkali resistant, antibacterial glazed surfaces.

Designed to withstand heavy use.

Self-contained draining areas.

Two sizes. White finish.

## – WASTES & TRAPS – FOR FIRECLAY SINKS

Vulcathene is a completely purpose-designed chemical resistant plumbing system that has been specified and installed in the laboratories of schools, universities, hospitals and research facilities worldwide for over 60 years. Vulcathene will withstand the test of time in the most demanding of laboratory applications.

VULCATHENE  
BOTTLE TRAP



VULCATHENE  
WASTES



1½" SLOTTED  
WASTE FITTING



Product	Code	Dimensions	
		(mm)	(in)
Vulcathene Waste (Slotted)	FT8000003	38	1½
		(mm)	(in)
Vulcathene Waste (Unslotted)	FT8000002	38	1½
		(mm)	(in)
Vulcathene Bottle Trap	FT8000001	38	1½
		(mm)	(in)
1½" Slotted Waste Fitting	FT2100013	38	1½
		(mm)	(in)

## – LEGS & BRACKETS – FOR BELFAST & CLEANER

Tailored for use with our Belfast and Cleaner ranges.

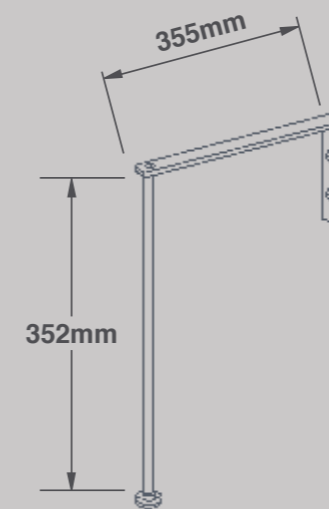
Designed to withstand heavy fireclay sinks.

Specifically for floor-mounting.

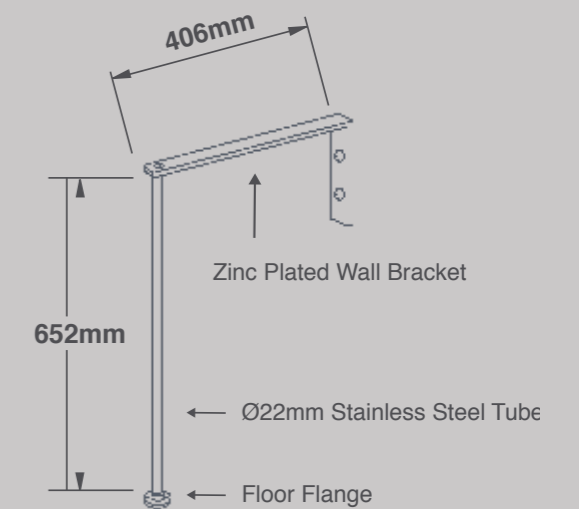
Supplied with fixtures and fittings.

Stainless steel.

CLEANER



BELFAST



Product	Code	Dimensions		
		Bracket Length	Leg Length	Leg Diameter
Cleaner Legs & Brackets (x2)	FT0100001	355	352	22
		(mm)	(in)	(in)
Belfast Legs & Brackets (x2)	FT0100002	406	652	22
		(mm)	(in)	(in)

PLEASE NOTE: Both products are compatible with all the sink sizes in their respective range and are supplied with fixtures and fittings.



All Shaws fireclay products  
*are handcrafted for life.*

BUILT FOR ENDURANCE



ODOUR  
RESISTANT



HEAT  
RESISTANT



IMPACT  
RESISTANT



CHEMICAL  
RESISTANT



DIRT & STAIN  
RESISTANT

DESIGNED FOR REASSURANCE



NATURAL  
MATERIAL



10 YEAR  
WARRANTY



ANTIBACTERIAL



RECYCLABLE



*Handcrafted for life*

SHAWS OF DARWEN. WATERSIDE, DARWEN, LANCASHIRE, ENGLAND, BB3 3NX. TELEPHONE. +44 (0)1254 775111. FAX +44 (0)1254 873462.

[www.shawsofdarwen.com](http://www.shawsofdarwen.com)